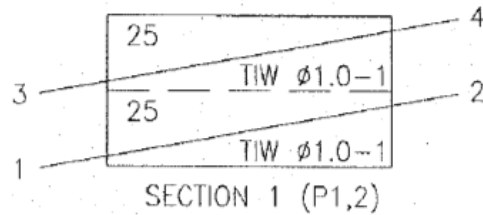
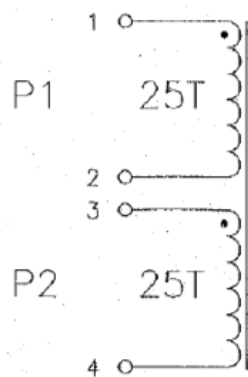
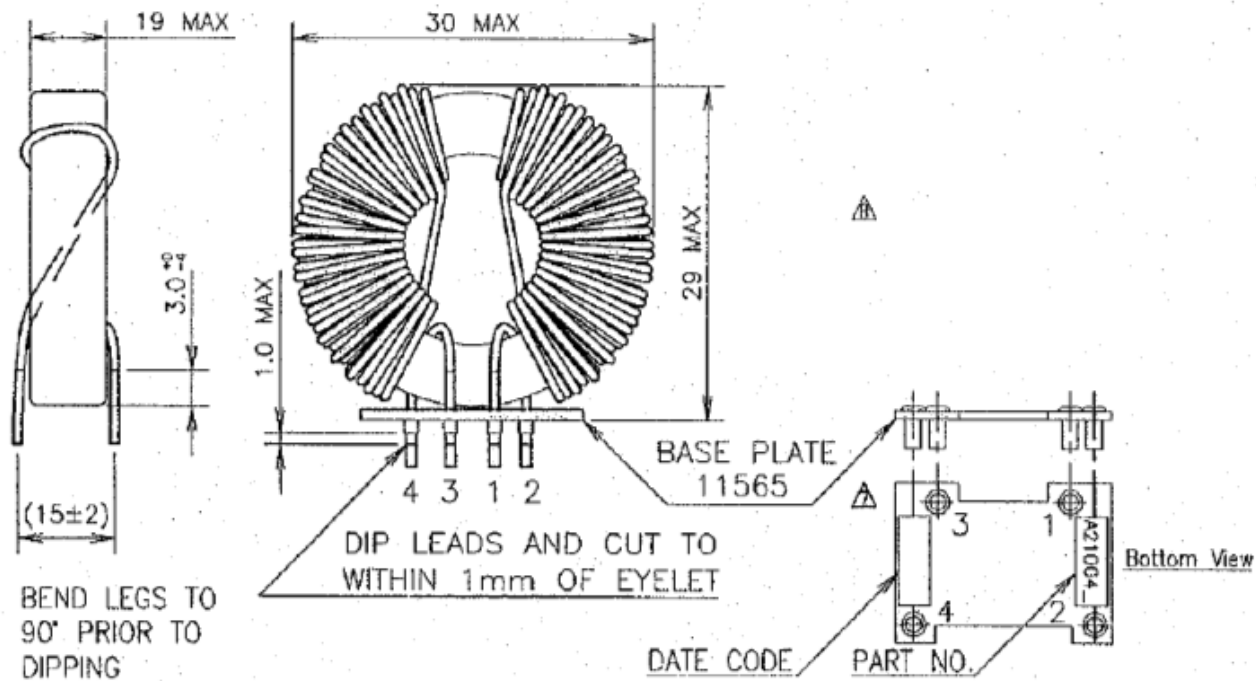


ARA00499, EMI Choke



Rev P1 Oct 16, 2007
A21004B
TDK-Lambda Americas Inc.
<http://us.tdk-lambda.com/lp>